



DEFANG ODN Solutions-Closure

03

DF Fusion Style

- **DFINTB-09**
- **DFINTB-17**
- **DFGFS-8ZX**
- **DFINTB-13**
- **DFINTB-14**
- **DFINTB-25**
- **DFINTB-26**

Description

DFINTB-09&DFINTB-17 is a maximum 4 ports + 4piece SC/APC adaptor terminal box which connect outdoor drop cable with indoor drop cable, it can store extra drop cable inside and flexible for engineering installation. The compact size and flip-over cover bring easy operation and could be installed in wall mounted mode.

Feature

- Made by high quality material(PC+ABS)
- Applicable for a maximum 4piece SC/APC adaptors.
- Water proof level: IP54
- Meet UV resistant 500h
- Installation method: Wall mounting
- Metal material meet stainless steel 304

Product image



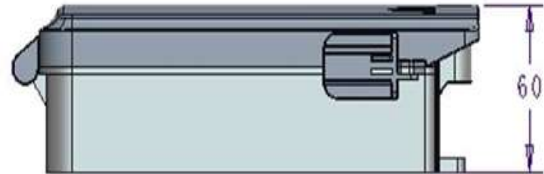
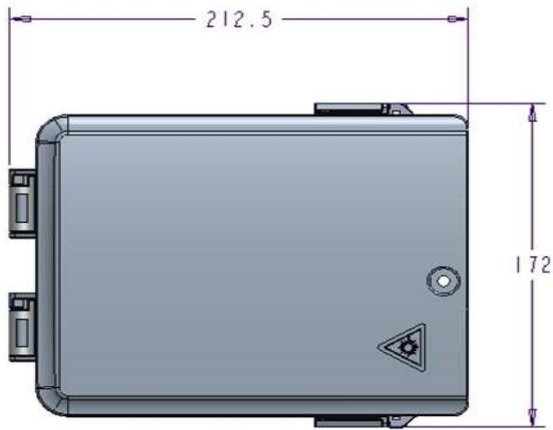
Specification

Model No.	DFINTB-09	DFINTB-17
Dimensions(mm)	212*175*50	
Weight (kg)	0.7	
Material	PC+ABS	
Sealing Type	Mechanical Sealing	
Protection Grade	IP54	
Installation	wall mounting	
Cable Application	One entries:φ3mm~6mm round cable or flat φ2*3mm	Two entries:φ3mm~6mm round cable or flat φ2*3mm
Adapter	4 pcs SC/APC	1 pcs SC/APC

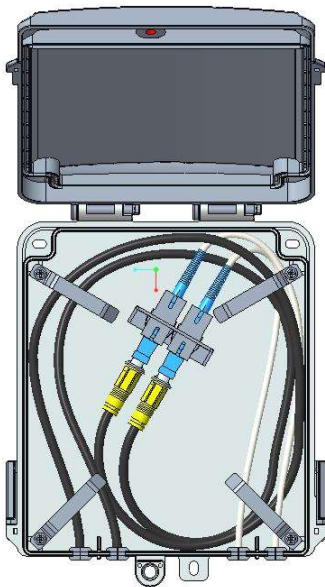
Terminal Box

DFINTB-09&DFINTB-17

Dimension



Cable Routing



DFINTB-09



DFINTB-17

Description

The equipment is used as a termination point for the feeder cable to connect with drop cable in FTTx communication network system. The fiber splicing, splitting, distribution can be done in this box, and meanwhile it provides solid protection and management for the FTTx network building.

Feature

- Total enclosed structure
- Material: PC+ABS, wet-proof, dust-proof, anti-aging, protection level up to IP54
- Clamping for feeder cable and drop cable, fiber splicing, fixation, storage, distribution ...etc all in one.
- Cable, Pigtails, patch cords are running through own path without disturbing each other, cassette type SC adaptor installation, easy maintenance
- Distribution panel can be flipped up, feeder cable can be placed in a cup-joint way, for maintenance and installation.
- Cabinet can be installed by the way of wall-mounted.

Product image



Specification

Model No.	DFGFS-8ZX
Type	8 ports indoor terminal Box
Dimensions(mm)	151.8*105.7*59
Weight (kg)	0.35
Material	PC+ABS
Sealing Type	Mechanical Sealing
Protection Grade	IP54
PLC Splitter	1:8 micro splitter
Cable Application	1 un-cut cable, Φ12mm 8 pcs drop cable, Φ2*3mm or Φ5mm round cable
Adapter	8 pcs SC/APC
Max Splicing Capacity	12F * 1trays, 12F
Closure Ports	1 Inlet, 1 outlet, 8 drop ports
Installation	wall mounting,

8 ports terminal Box

DFGFS-8ZX

Installation



Wall mounted

Package

- 1 PC in a bubble bag, 220*200mm;
- 1 PC in a small carton, 160*110*65mm, gross weight is 0.35 kg;
- 50 PCS in a big corrugated carton, 570*340*355 mm, gross weight is 18kg.

Description

DFINTB-13 can connect the drop cable with feeder cable as the termination point in the FTTx network, which is cable to meet at least 8 users requirements. It can help splicing, splitting, storing and management with suitable space.

Feature

- The body is made of high quality engineering plastic with good strength;
- Comply with Rohs2.0
- Meet with flame retardant level UL94 V1,dust proof,UV protection 500h
- Meet less than Φ 12mm fiber cable diameter and FIG8 drop cable connection
- Suitable for 1:8 mini PLC and support 8pcs SC adapters

Product image



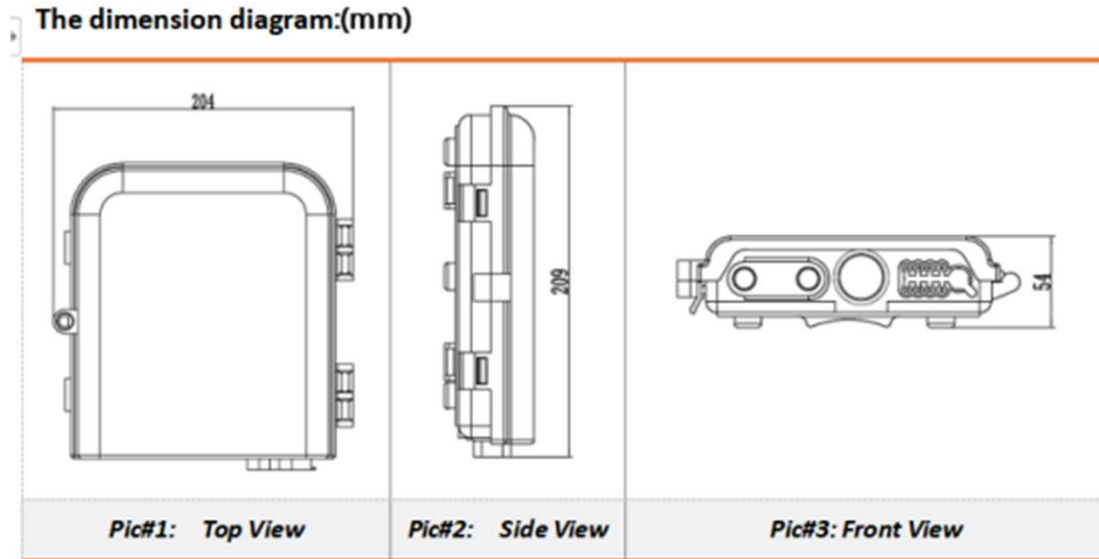
Specification

Model No.	DFINTB-13
Type	8 ports terminal Box
Dimensions(mm)	209*204*54
Weight (kg)	1.4
Material	PC+ABS
Sealing Type	Mechanical Sealing
Protection Grade	IP68
PLC Splitter	1:8 micro splitter
Cable Application	2 input ports: \leq Φ 12mm 8 pcs drop cable, Φ 2*3mm or Φ 3-8mm round cable
Adapter	8 pcs SC/APC
Max Splicing Capacity	8F * 1 trays, 8F
Installation	wall mounting, pole mounting

8 ports terminal Box

DFINTB-13

Dimension



Packing information

- Carton Size:470*440*330mm
- Quantity per Carton: 20pcs.
- Gross Weight: 30kg.

Description

DFINTB-14 can connect the drop cable with feeder cable as the termination point in the FTTx network, which is cable to meet at least 4 users requirements. It can help splicing, splitting, storing and management with suitable space.

Feature

- The body is made of high quality engineering plastic with good strength;
- Comply with Rohs2.0
- Meet with flame retardant level UL94 V2
- Suitable for duplex LC and SC adapters,1:4 mini PLC

Product image



Specification

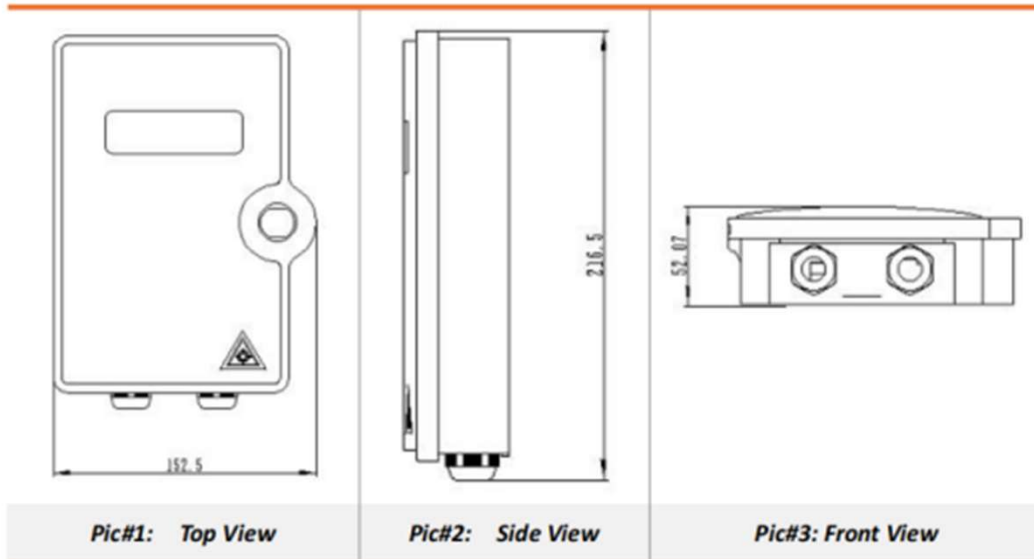
Model No.	DFINTB-14
Type	8 ports terminal Box
Dimensions(mm)	208*153*52
Weight (kg)	0.55
Material	PC+ABS
Sealing Type	Mechanical Sealing
Protection Grade	IP55
PLC Splitter	1:4 micro splitter
Cable Application	1 input port, $\leq \Phi 12\text{mm}$ 4pcs drop cable, $\Phi 2*3\text{mm}$ or $\Phi 3-8\text{mm}$ round cable
Adapter	Max up to 4pcs SC/APC
Max Splicing Capacity	4F * 1 trays, 4F
Installation	wall mounting

8 ports terminal Box

DFINTB-14

Dimension

The dimension diagram:(mm)



Packing information

- Carton Size:460*340*590mm
- Quantity per Carton: 40pcs.
- Gross Weight: 23kg.

Description

DFINTB-25 Fiber Splicing Protective box is able to hold up to 1 subscribers. It is used as a termination point for the drop cable to connect with patch cord in FTTH Indoor application. It integrates fiber splicing, termination, storage and cable connection in one solid protection box.

Feature

- Material: PC+ABS, wet-proof, dust-proof, anti-aging, protection level up to IP54.
- Clamping It uses embedded surface frame, easy to install and disassemble, it is with protective door and dusty free
- Suitable for the fusion splicing or mechanical splice.
- 2 Ports cable entrance for patch cable

Product image

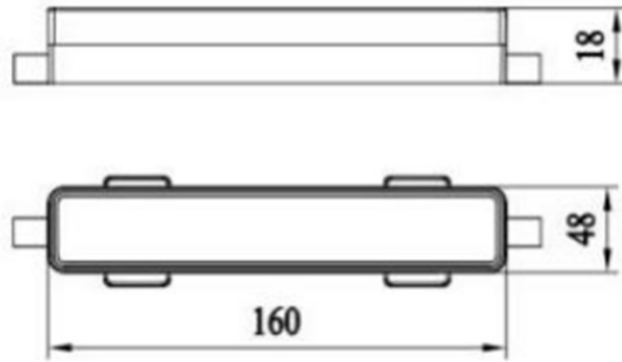


Specification

Model No.	DFINTB-25
Type	Fiber splicing protective box
Dimensions(mm)	160*48*18
Weight (kg)	0.036
Material	PC+ABS
Tension Strength	≥50N
Protection Grade	IP54
Insertion Loss	≤0.2dB (1310&1550 nm)
Adapter	1 pcs SC/APC

DFINTB-25

Specification



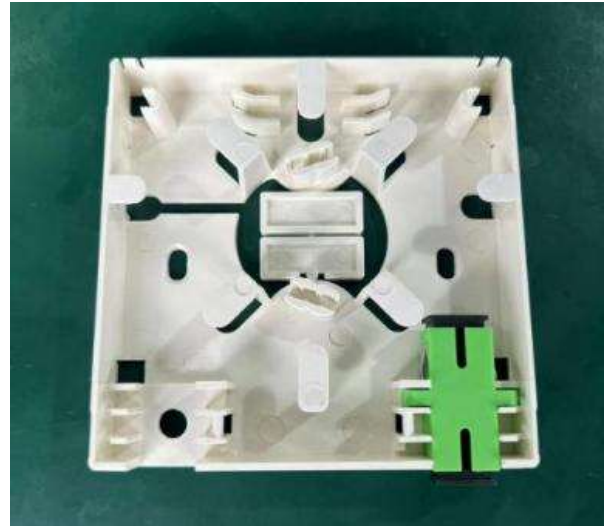
Description

DFINTB-26 Optical Fiber Rosette, which applies plug-in design of integration, multi-function and modern concept. It is designed to match with international standard A86 panels for FTTH, FTTO and FTTD, etc. It possesses the function of storing drop cable or outdoor cable, mechanical splicer, and field assembly optical connector.

Feature

- Material: PC+ABS, dust-proof, anti-aging
- Small size and simple operation
- Large arc-shaped winding column to avoid the potential damage risks
- Multi-function for a variety of cables, like drop cable, outdoor cable, indoor cable, etc

Product image



Specification

Model No.	DFINTB-26
Type	Optical Fiber Rosette
Dimensions(mm)	86*86*25
Weight (kg)	0.055
Material	PC+ABS
Sealing Type	Mechanical Sealing
Protection Grade	IP20
Flammability	UL96-V0
Cable Application	2*3mm Flat cable or 2~3mm round cable
Adapter	1 pcs SC/APC

Wall mounted accessory

Part Name	Quantity	Note
Screws and rubber plugs	2	M4*25 Philips head screw, $\Phi 6$ *30 rubber plug
Heat shrink protective sleeve	2	L=45mm

Packing information

- Carton Size: 390* 310 * 570mm
- Quantity per Carton: 200pcs.
- Net/ Gross Weight per Carton: 11/12.5kg

PLC Splitter

DF PLC Splitter

➤ **DFPLC8F05B**

Fiber Optical Splitter

DFPLC8F05B

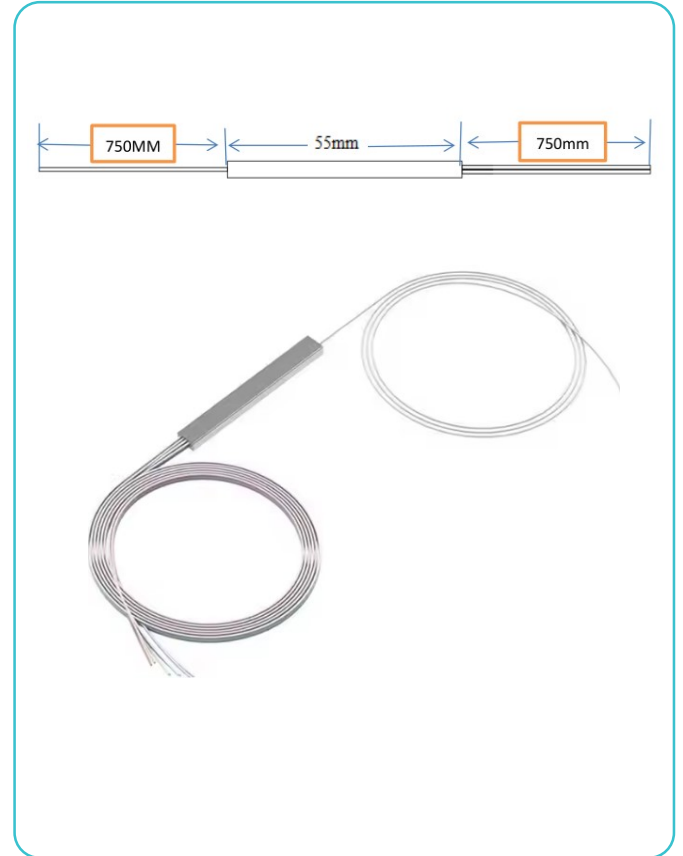
Description

The splitter is an optical power management device manufactured using silicon optical waveguide technology, which is used to distribute optical signals from center to multiple locations. It is mainly used for various connections and distribution boxes or network cabinets.

Feature

- Low insertion loss, Low PDL and High reliability
- High return loss and Good repeatability
- Wide wavelength range
- Excellent channel-to-channel uniformity
- 1:8 balanced, the Input&Output Diameter is 0.9mm

Product image



Specification

Product number	DFPLC8F05B
Types of Splitter	PLC Splitter
Coupling ratios	1:8
Fiber	Single Mode Fiber
Connector	Input & Output without Connector
Connector Type	SC/APC
Working Wavelength	1260-1650nm
Insert Loss	≤10.2dB
Return Loss	≥55dB
Diameter of Pigtail	0.9mm
Length of Pigtail	1.5m
Package	According to customer requirements
Encapsulation Size	55*7*4mm

Fiber Optical Splitter

DFPLC8F05B

Product performance

Type		1:8 PLC splitter
Operating Wavelength(nm)		1260~1650
Insertion Loss (dB)	MAX	≤10.2
PDL(db)	MAX	0.3
Return Loss(db)	MIN	≤55
Uniformity(db)	MAX	≤0.8
Directivity(db)	MIN	≥55
Working temperature(°C)		-40~+85
Type test		YDT 2000.1-2014 IL change≤0.5dB



PRODUCT CATALOGUE

